



BRILLIANCE[®]
LED
A HIGHER LIGHT FORM[®]

PRODUCT REFERENCE GUIDE

Strip Light

[Revised 2/2015]

BRILLIANCE LED STRIP LIGHT 3G

Brilliance LED Strip Light 3rd Generation

CUT SHEET	1
FIGURE A: ACCESSORIES	2
FIGURE B: PARTS & PIECES	5
FIGURE C: PROPER HANDLING	6
FIGURE D: PROPER POSITIONING OF CONNECTOR PINS	6
STEP 1: PLACE CLEAR TUBE, THEN, CLEAR CAP ON STRIP LIGHT	7
STEP 2: CONNECT END CONNECTOR TO STRIP LIGHT	7
STEP 3: PLACE METAL ANTI-SLIP PLATE	8
STEP 4: COVER WITH HEAT SHRINK TUBE & SEAL	8
STEP 5: PLACE END-CONNECTOR AND SEAL END OF STRIP	9

Strip Light

3rd Generation

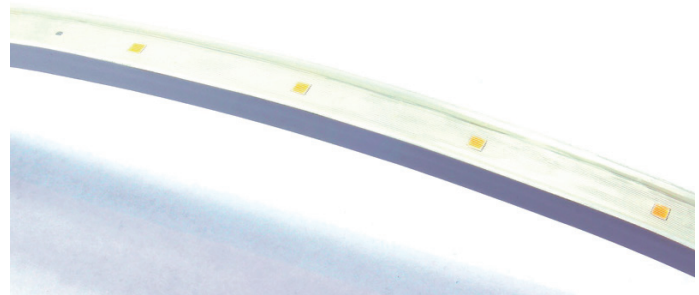


Description:

The Brilliance LED Strip Light is rated for outdoor use and can be directly connected to an existing 8-16 vac landscape lighting system. Great accent lighting for stairs, railings and overhangs. The LEDs on this Strip Light are encased in non-yellowing material that installs easily.

Special Features:

- Engineered for landscape lighting systems
- Power usage is 1.8w per meter
- 144 Lumens / meter (45 Lumens/foot)
- Operating range is 8-16 vac
- 2700K Kelvin Temperature
- Dimmable with most magnetic transformers
- Max length for power feed is 12m (39' 4")
- CRI: 75
- 35,000 hour lamp life
- IP65
- 3 LED's every 10cm (3.93")
- 3 year warranty
- Available in 25 meter lengths

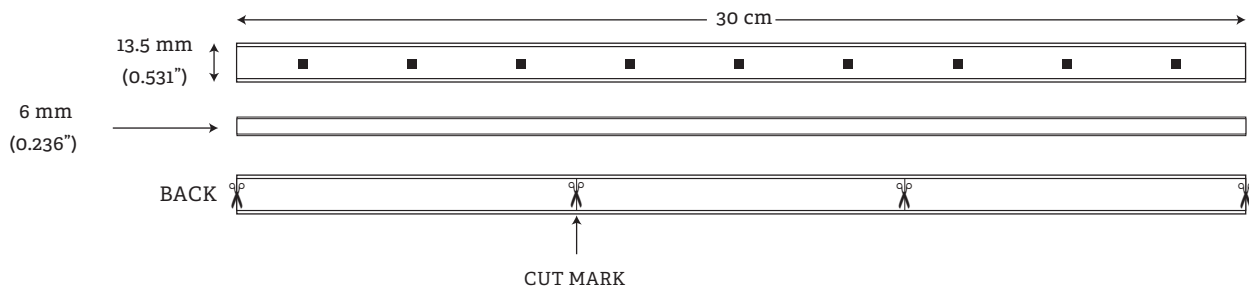


PART NUMBER : BRI SL3 2700 XX 65

LENGTH (meters)

Brilliance LED 3rd Generation Strip Light Dimensions:

30 cm Example without end connections
(may be cut at each 3 LED sections - 10 cm)

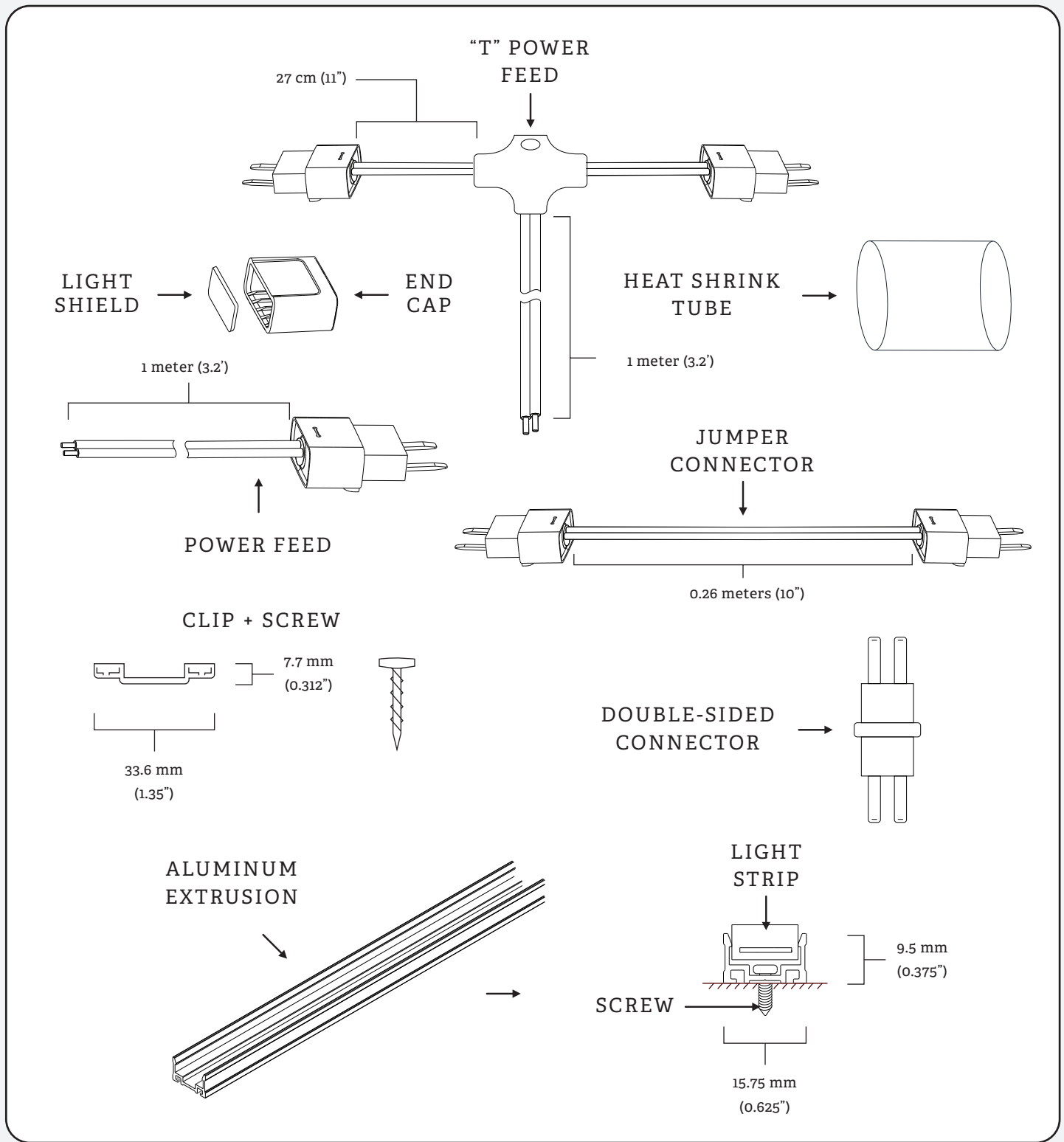


Strip Light

3rd Generation



FIGURE A. ACCESSORIES



Strip Light

3rd Generation



FIGURE A. ACCESSORIES CONTINUED



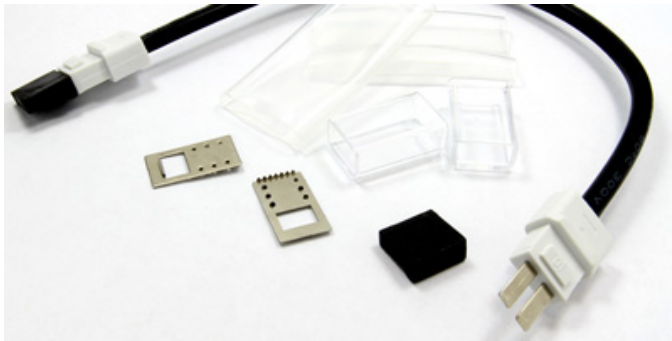
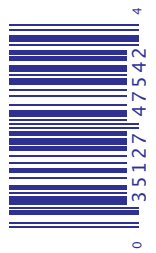
Brilliance LED Strip Light Accessory:

Double-Sided Connector Kit

Part No.: O 35127 47542 4

Pieces:

- 1 - Double-Sided Connector
- 2 - Clear Plastic Retainers
- 2 - Metal Anti-slip Plates
- 1 - Heat Shrink Tube



Brilliance LED Strip Light Accessory:

Jumper Connector Kit

Part No.: O 35127 47606 3

Pieces:

- 1 - Jumper Connector
- 2 - Clear Plastic Retainers
- 2 - Metal Anti-slip Plates
- 2 - Heat-shrink Tubes



Brilliance LED Strip Light Accessory:

Power Feed Kit

Part No.: O 35127 47544 8

Pieces:

- 1 - Power Feed
- 1 - Clear Plastic Retainer
- 1 - Metal Anti-slip Plate
- 1 - Heat-shrink Tube



Brilliance LED Strip Light Accessory:

"T" Power Feed Connector Kit

Part No.: O 35127 47608 7

Pieces:

- 1 - "T" Power Feed Connector
- 2 - Clear Plastic Retainers
- 2 - Metal Anti-slip Plates
- 2 - Heat-shrink Tubes



Strip Light

3rd Generation



FIGURE A. ACCESSORIES CONTINUED



Brilliance LED Strip Light Accessory:

End Cap Kit

Part No.: 0 35127 47607 0

Pieces:

- 1 - End Cap
- 1 - Light Shield
- 1 - Heat-shrink Tube



Brilliance LED Strip Light Accessory:

Clip & Screw Kit

Part No.: 0 35127 47543 1

Pieces:

- 50 - Plastic Clips
- 100 - Screws



Brilliance LED Strip Light Accessory:

Extrusion Kit

Part No.: 0 35127 47611 7

Pieces:

- 25 - 1m (3.2') Extrusion sections

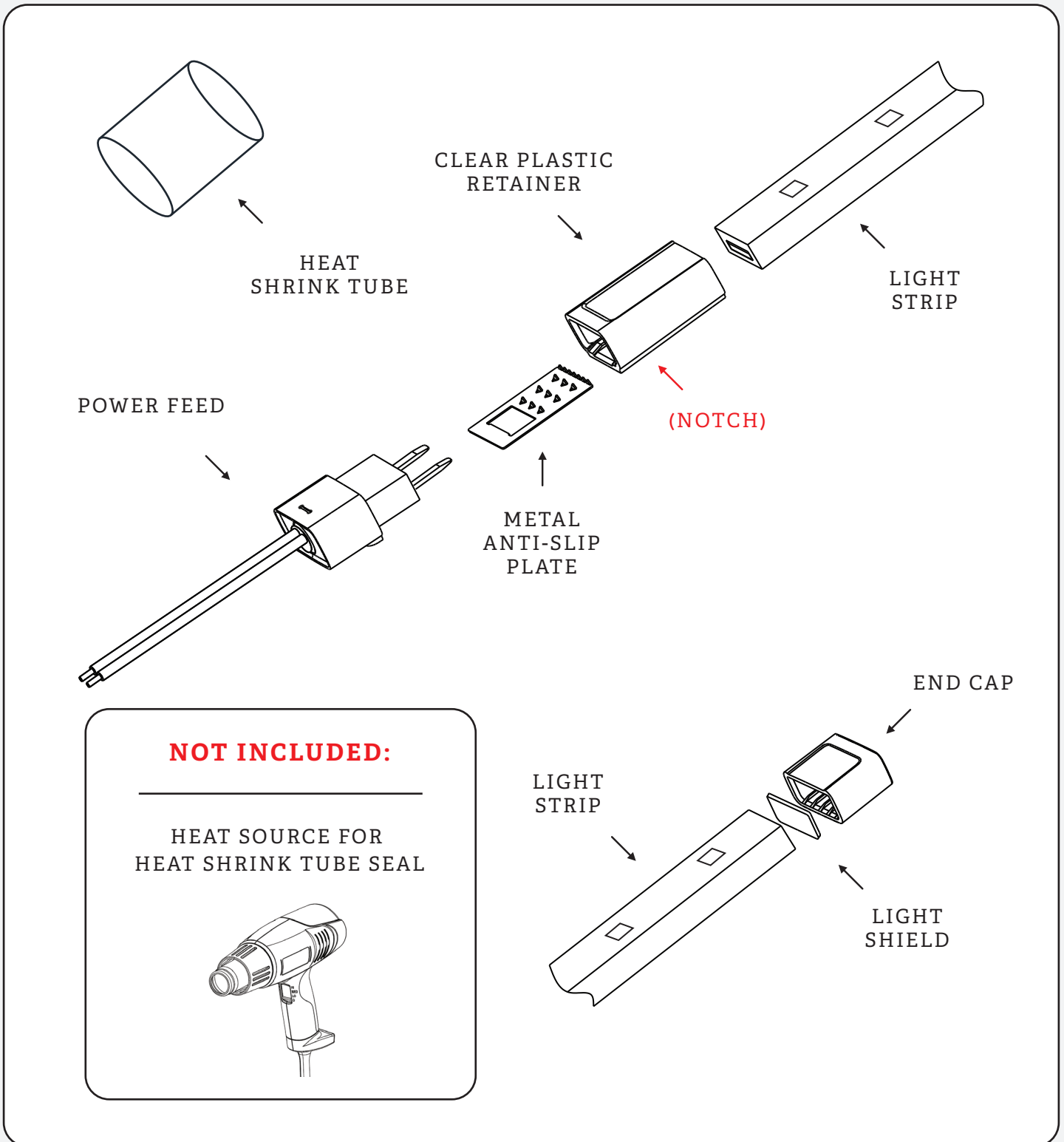


Strip Light

3rd Generation



FIGURE B. PARTS & PIECES



Strip Light

3rd Generation

FIGURE C. PROPER HANDLING

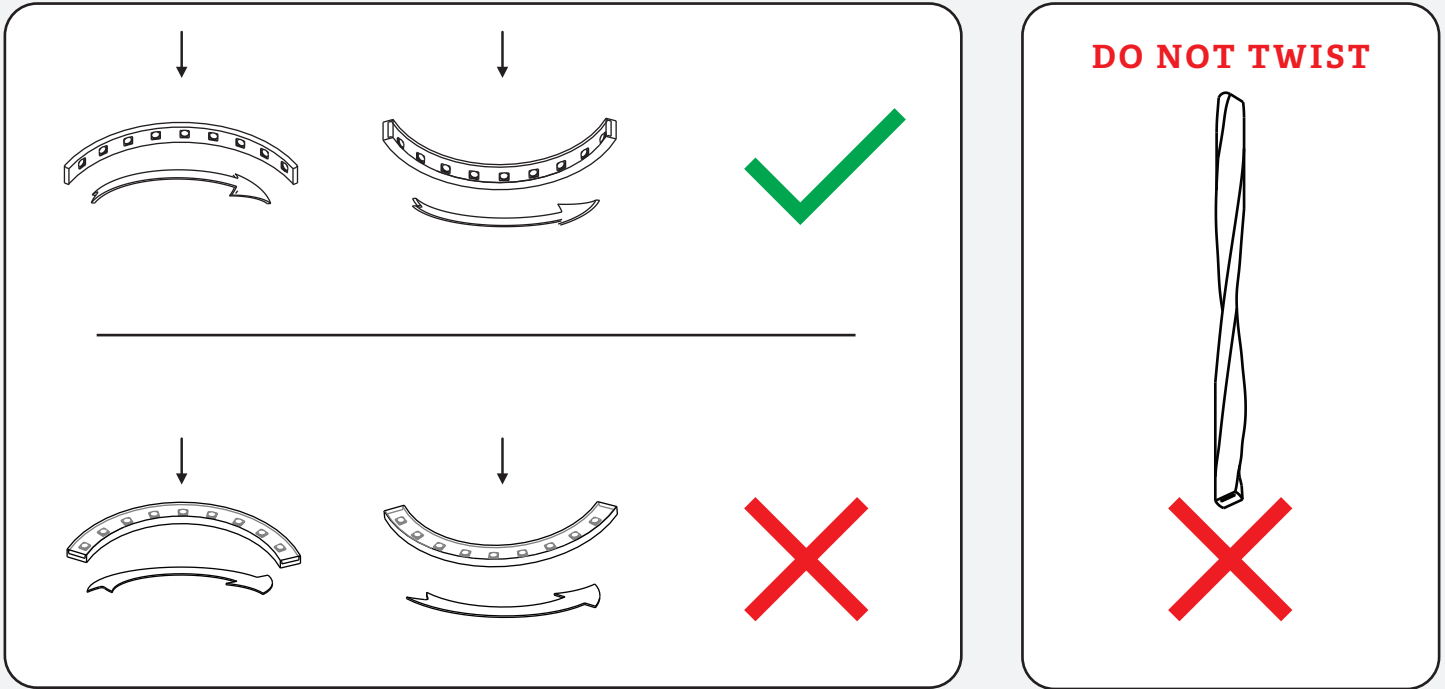
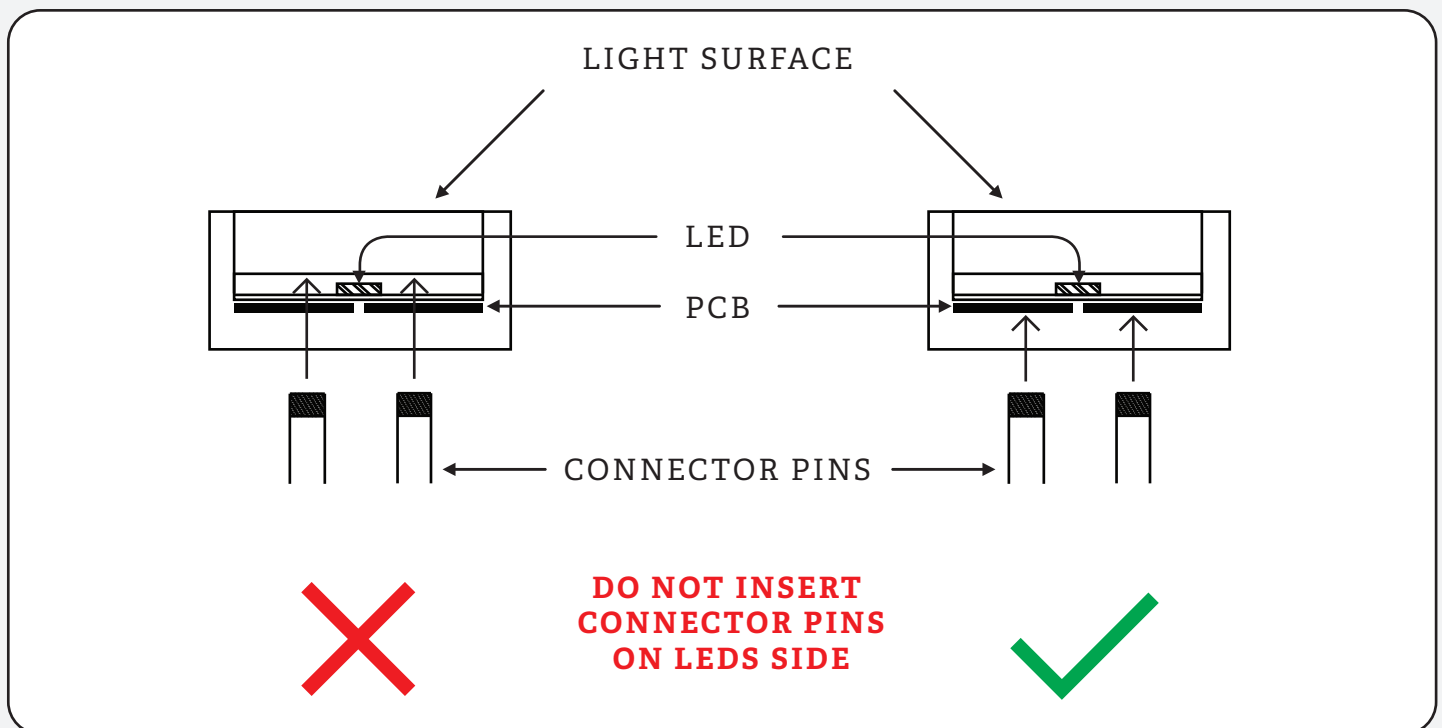


FIGURE D. PROPER POSITIONING OF CONNECTOR PINS

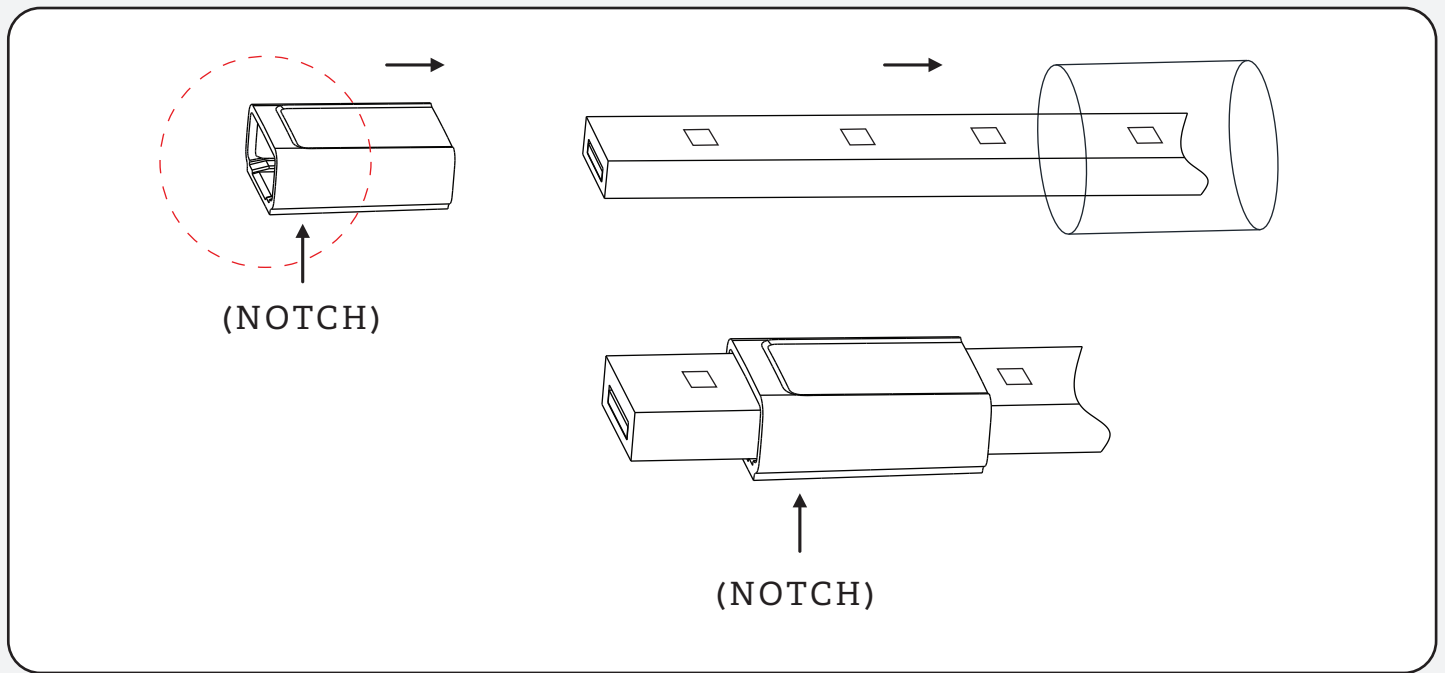


Strip Light

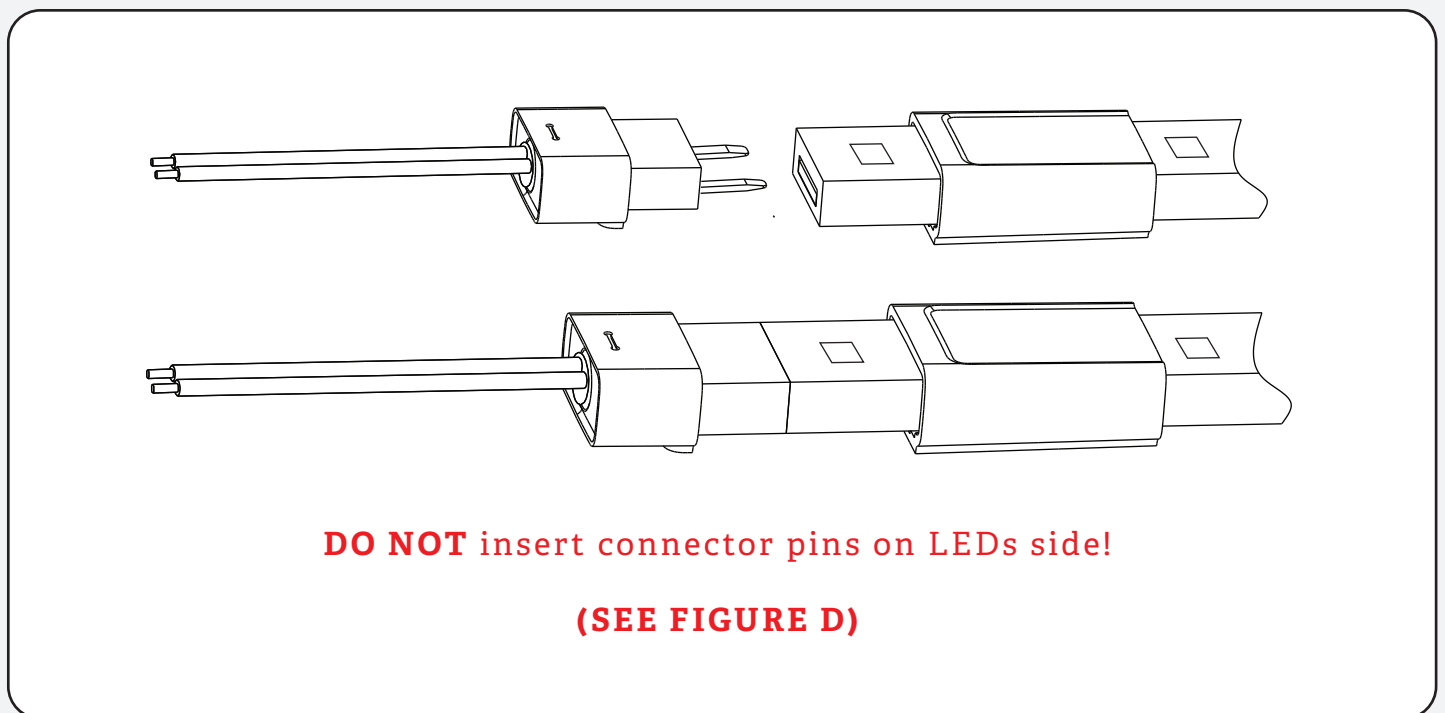
3rd Generation



STEP 1. PLACE HEAT SHRINK TUBE & CLEAR RETAINER ON STRIP LIGHT



STEP 2. CONNECT POWER FEED TO STRIP LIGHT

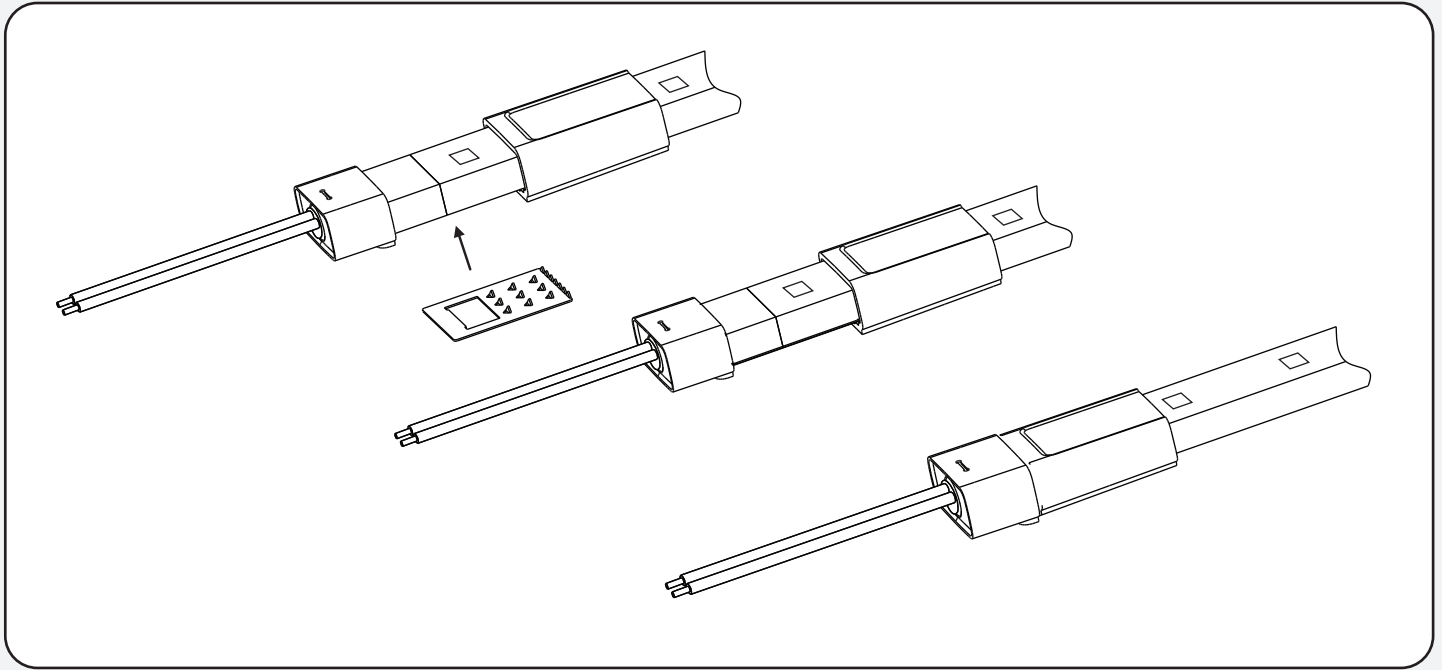


Strip Light

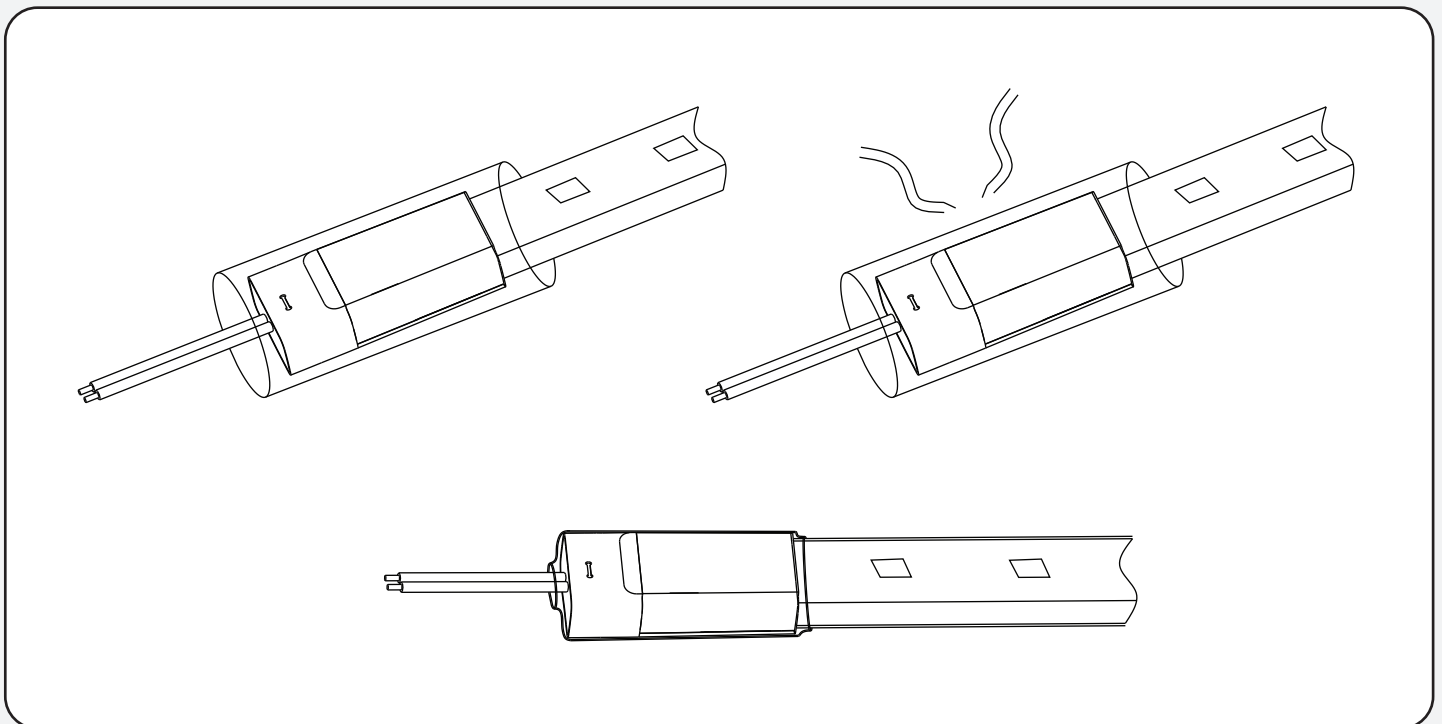
3rd Generation



STEP 3. PLACE METAL ANTI-SLIP PLATE & SLIDE CLEAR RETAINER OVER



STEP 4. COVER WITH HEAT SHRINK TUBE & SEAL WITH HEAT GUN

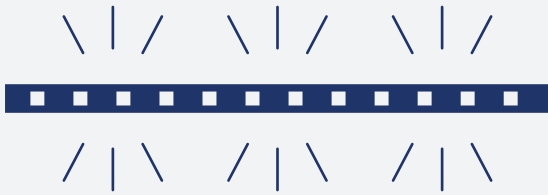
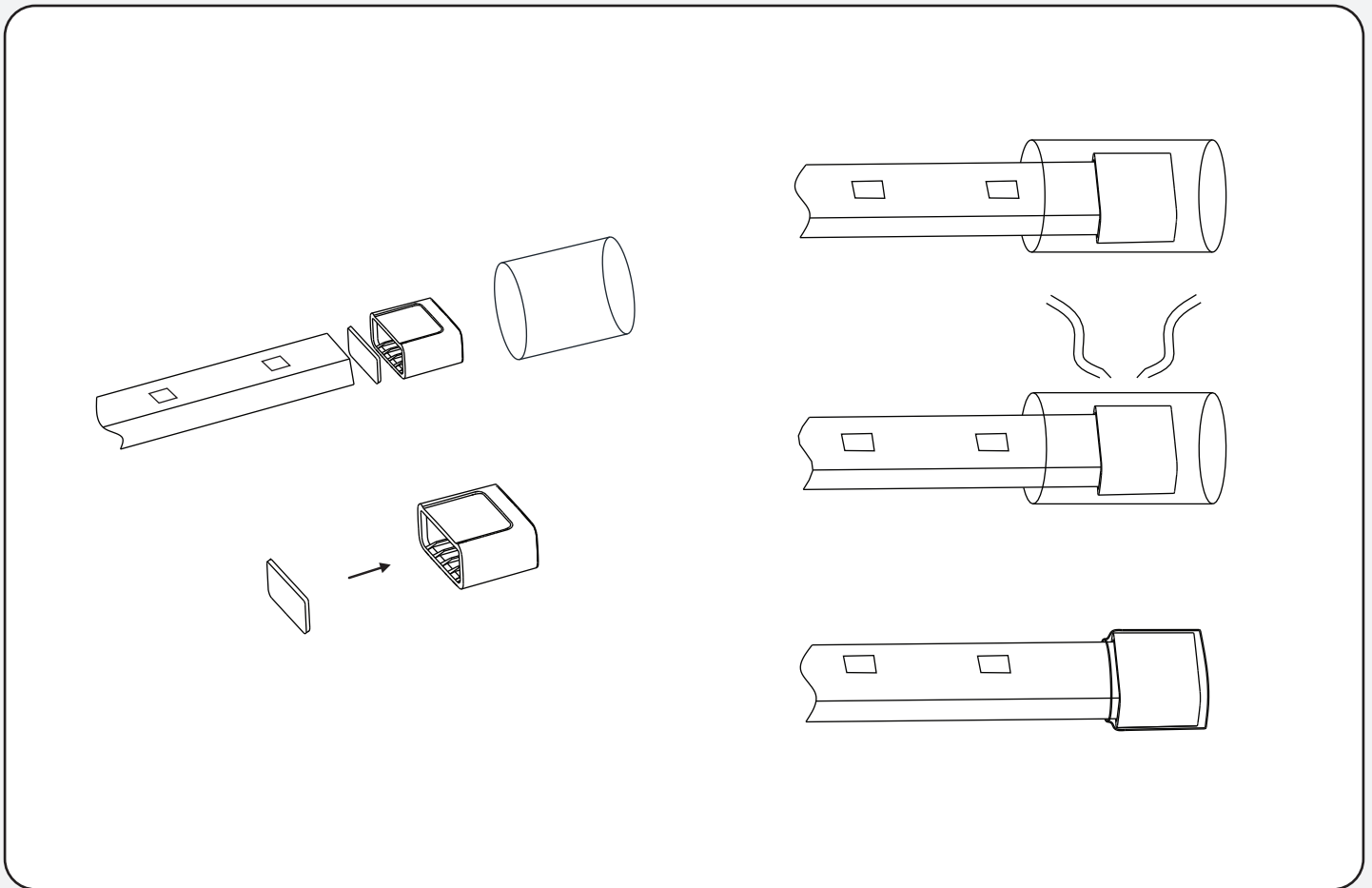


Strip Light

3rd Generation



STEP 5. PLACE END-CONNECTOR AND SEAL END OF STRIP



— GET SUPPORT! —
BRILLIANCELED.COM
800-867-2108



© 2015 Brilliance LED, LLC. All Rights Reserved. Product images are for illustration purposes only. The information contained herein is designed to be as comprehensive and factual as possible. All product sizes are nominal. Actual products may vary from their respective descriptions. All products, product specifications and data are subject to change without notice to improve reliability, function, design or otherwise. The colors and the designs reproduced in this publication have been matched as closely as the printing process allows. All text, images, graphics and other materials on this publication are subject to the copyright and other intellectual property rights of Brilliance LED, LLC. These materials may not be reproduced, distributed, modified or reposted without the express written permission of Brilliance LED, LLC.

7202 East Cave Creek Road, Suite 3A | P.O. Box 2281 | Carefree, AZ 85377
T. 800.867.2108 | F. 480.575.0078 | BrillianceLED.com | Orders@BrillianceLED.com